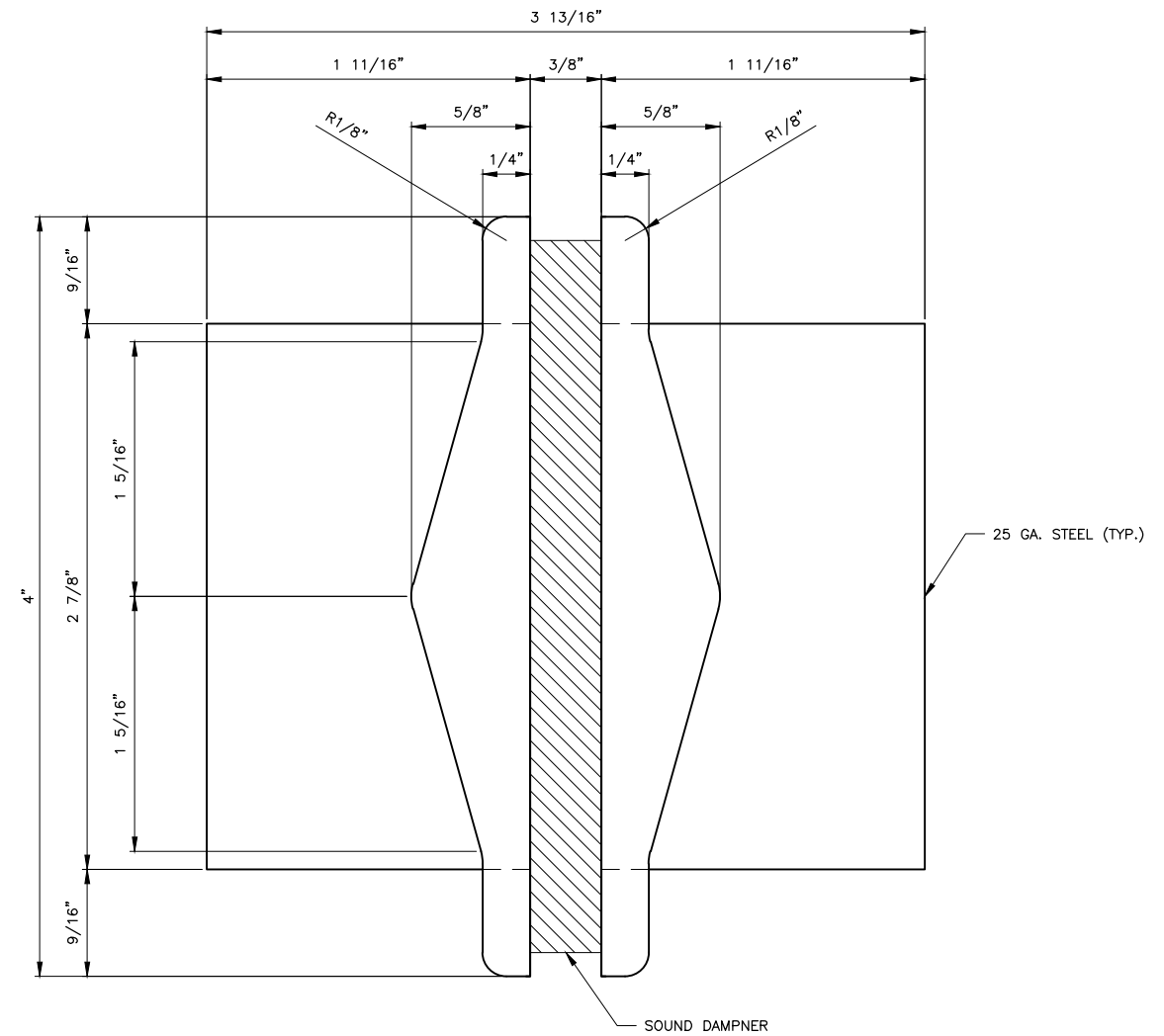
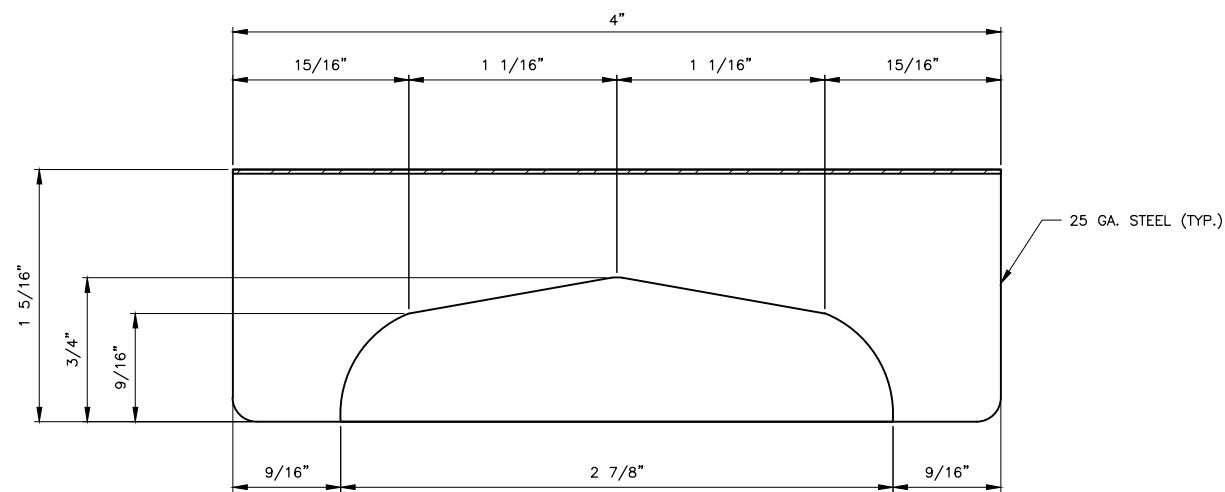


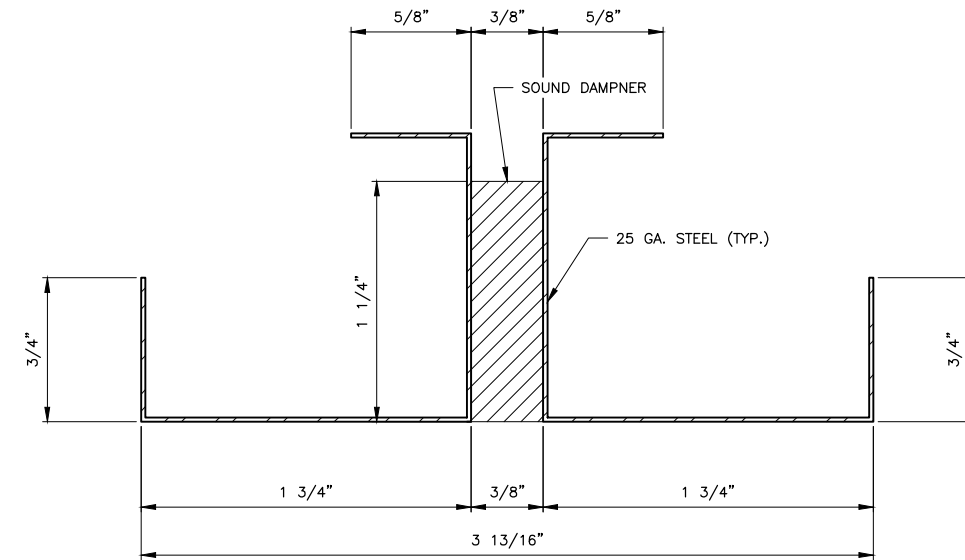
DETAIL - BACK 1
SCALE: 1'-0" = 1'-0" 2



DETAIL - FRONT 2
SCALE: 1'-0" = 1'-0" 2



DETAIL - SIDE 1 3
SCALE: 1'-0" = 1'-0" 2



DETAIL - SIDE 2 4
SCALE: 1'-0" = 1'-0" 2

PRO PRODUCTS MFG., LLC
 32015 - 128TH ST. N.W.
 PRINCETON, MN 55371
 (763) 552-0853 (O)
 (763) 552-0854 (F)
www.eliminatortrack.com/